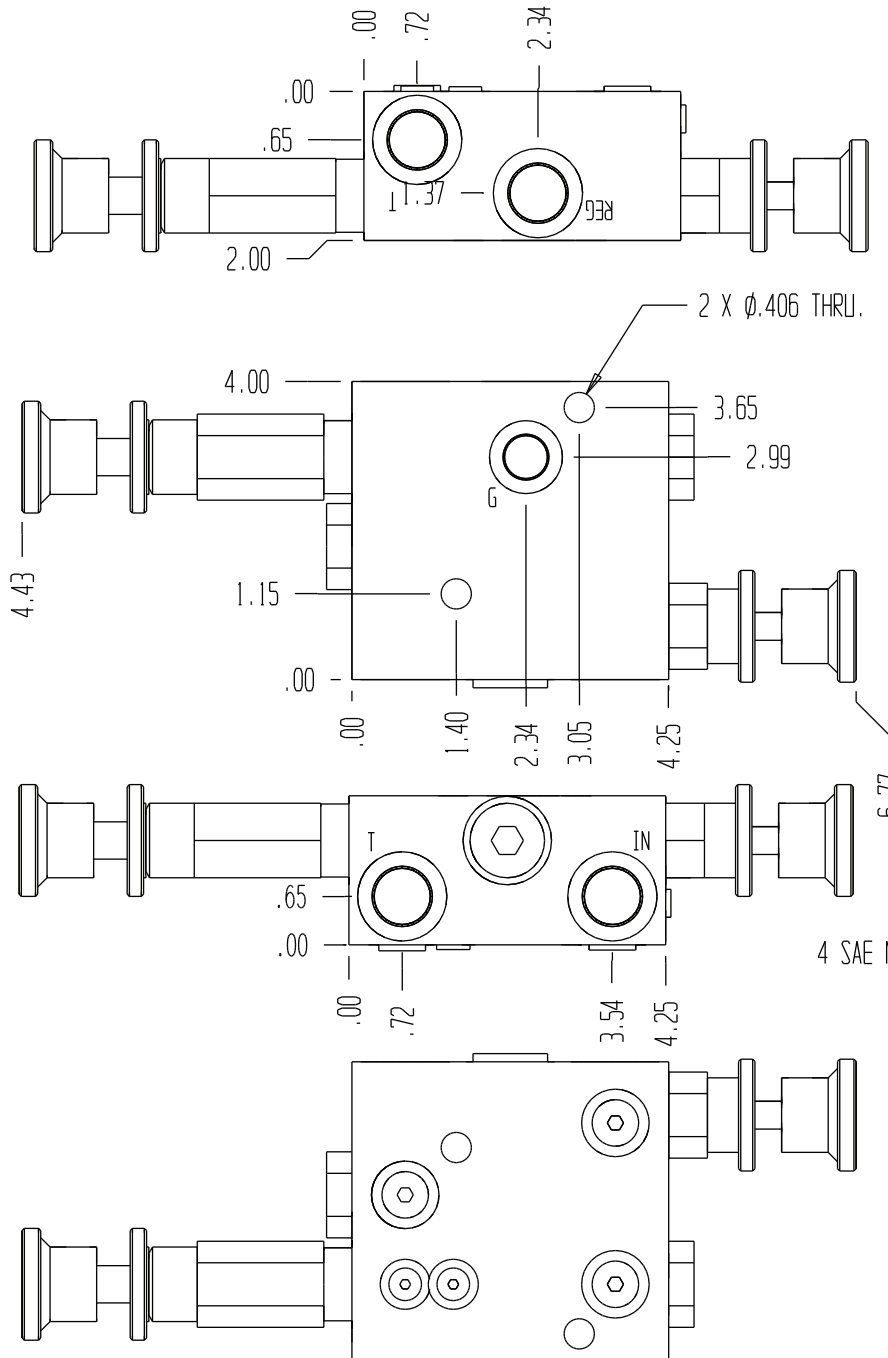
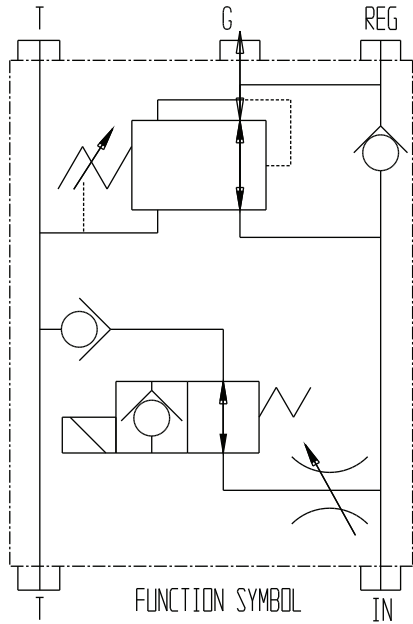


8120



NOTE: 1. THE BODY IS ANODIZED ALUMINUM.

GENERAL SPECIFICATIONS	
PRESSURE	5,000 PSI WORKING
FLOW RATE	8 GPM AT 100 PSI DIFF. AT 'REG' PORT
MEDIA	PETROLEUM MINERAL BASE SAE 20. OTHER BASES MAY REQUIRE SEAL CHANGES.
SEAL KIT	5457
LEAKAGE	INTERNAL-10 CUBIC INCHES/MIN., EXTERNAL-NONE.