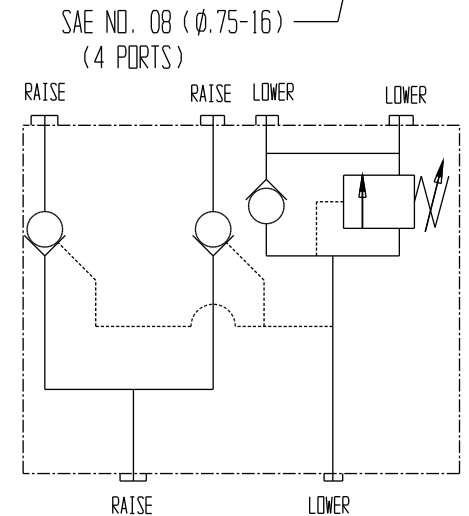
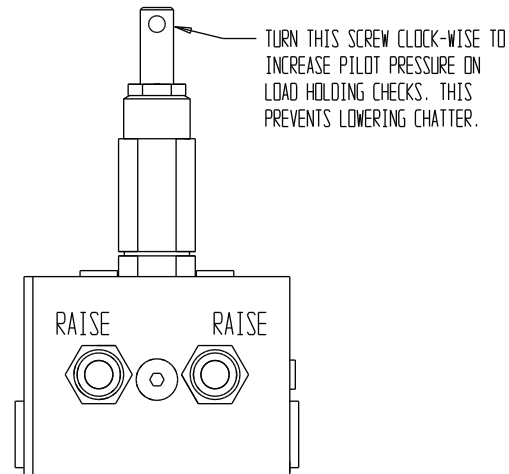
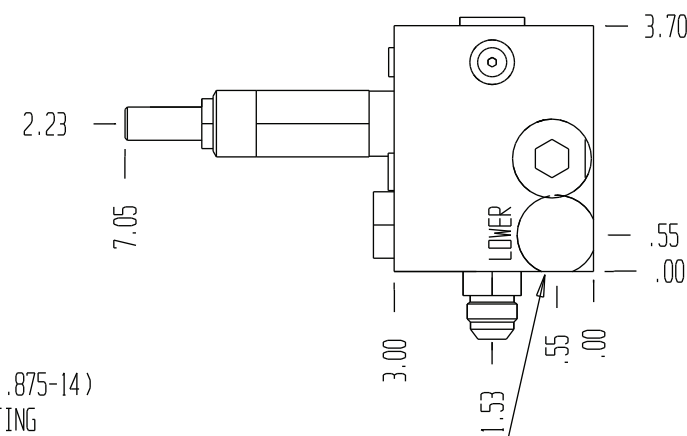
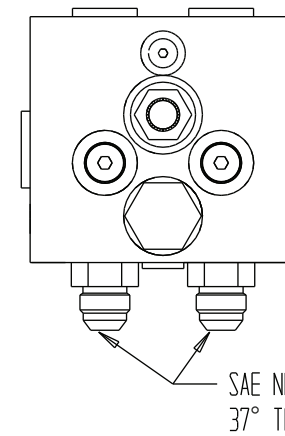
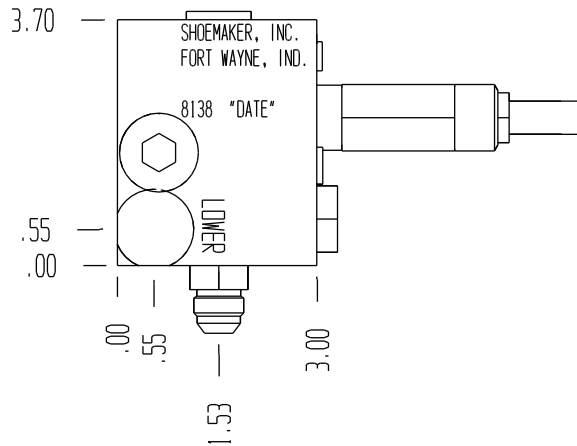
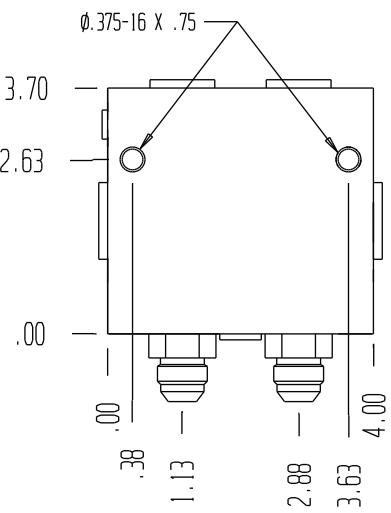
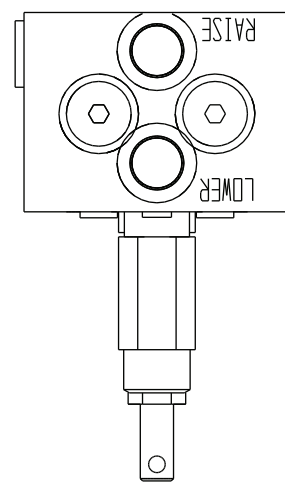


8138



FUNCTION SYMBOL

GENERAL SPECIFICATIONS

PRESSURE	5,000 PSI WORKING
FLOW RATE	20 GPM AT 150 PSI DIFFERENTIAL
MEDIA	PETROLEUM MINERAL BASE SAE 20. OTHER BASES MAY REQUIRE SEAL CHANGES.
SEAL KIT	
LEAKAGE	INTERNAL - ONLY.
CRACK PRESSURE	12 PSI. FOR CHECK CARTRIDGES
PILOT RATIO	4 : 1