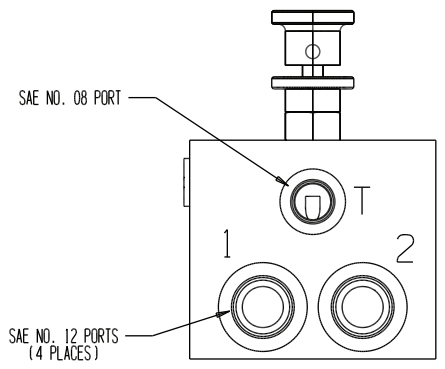
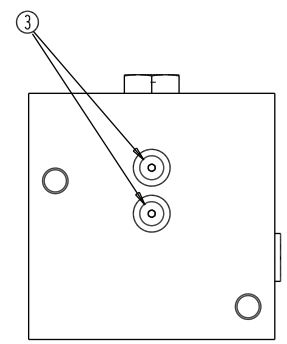
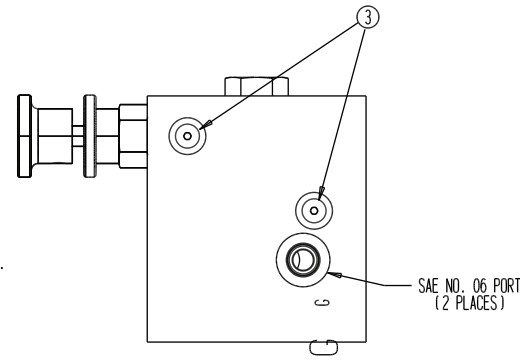
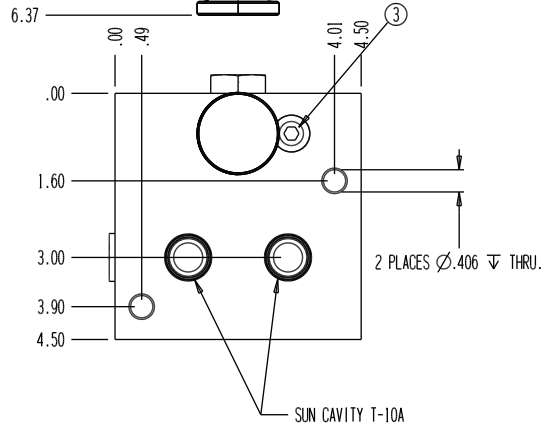
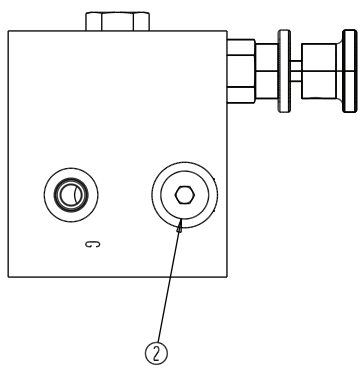
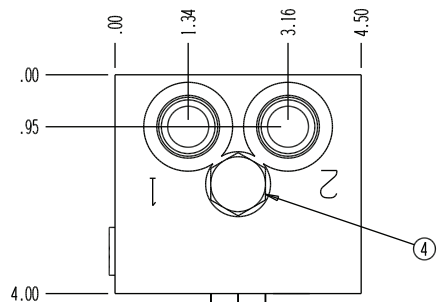
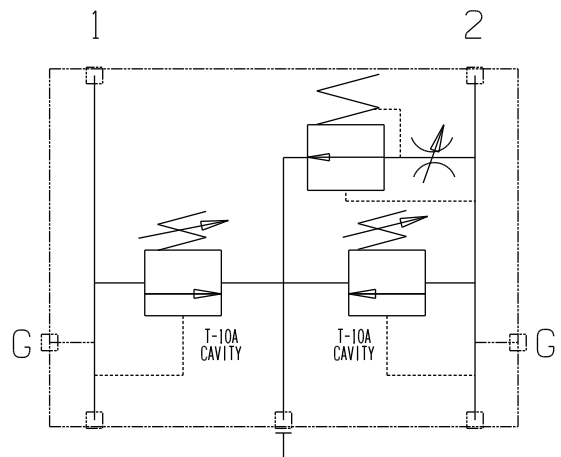


ITEM	QTY	PART NUMBER	DESCRIPTION
1	1	5910	BODY
2	1	1132-08	PLUG, SAE SOCKET
3	5	1132-04	PLUG, SAE SOCKET
4	1	8200	CARTRIDGE, COMP. LOGIC
5	1	NFC-10-K-0	CARTRIDGE, F.C.
6			
7	2	1219-6	PLUG, VINYL
8	1	1219-8	PLUG, VINYL
9	4	1219-12	PLUG, VINYL



NO. 12 ORB                      NO. 12 ORB



NO. 12 ORB                      NO. 8 ORB                      NO. 12 ORB

NOTES: 1. ALL NOMENCLATURE WILL BE .18 HIGH MINIMUM.  
 2. BODY IS ANODIZED ALUMINUM. CARTRIDGES ARE STEEL AND ALUMINUM.

8269