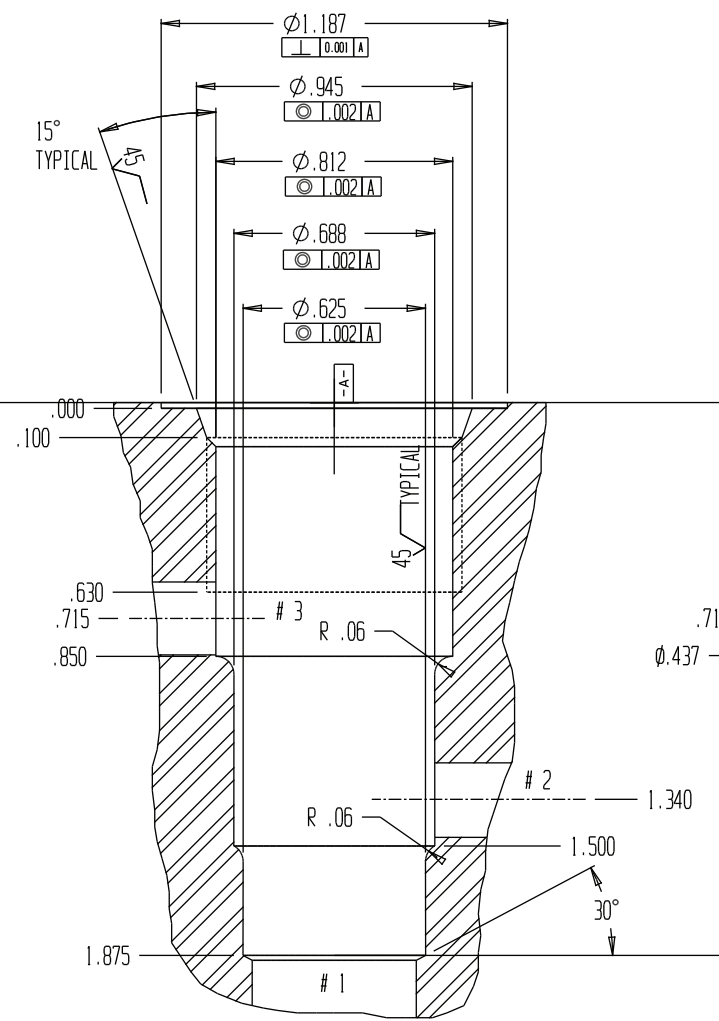
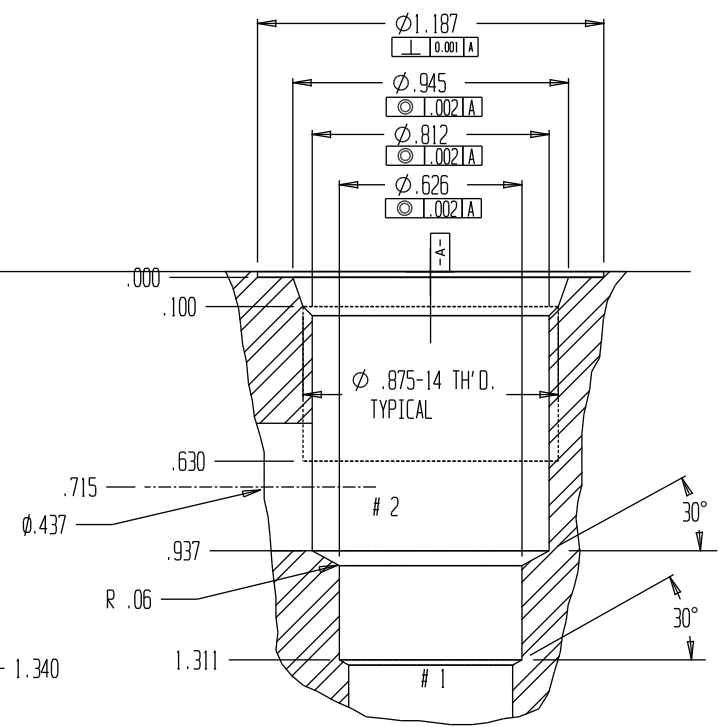


CAVITY 2141-10-4
 STEP DRILL NO. 1356
 FORM RELIEF CUTTER 10-4



CAVITY 2141-10-3
 STEP DRILL NO. 1357
 FORM RELIEF CUTTER 10-3



CAVITY 2141-10-2
 STEP DRILL NO. 1358
 FORM RELIEF CUTTER 10-2