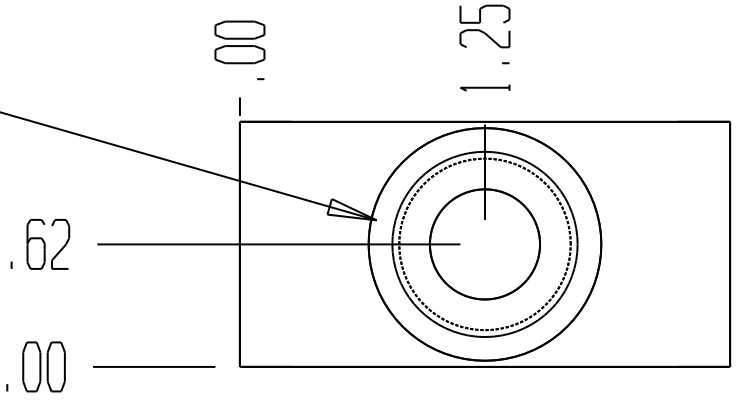
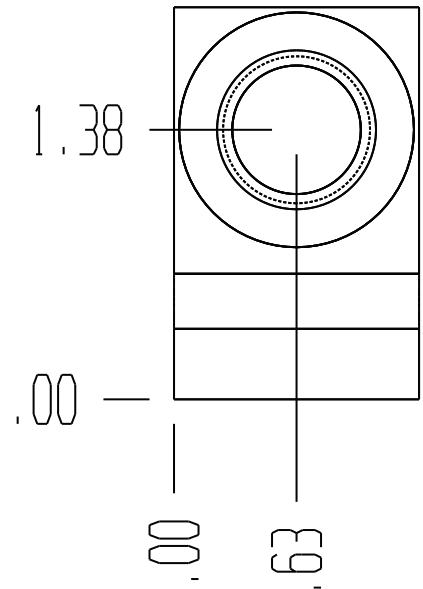
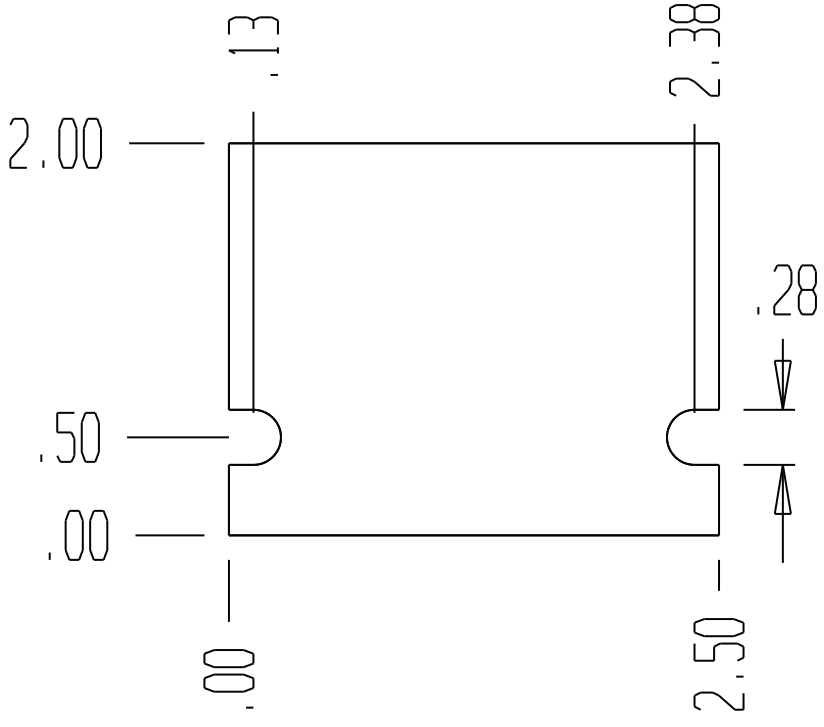
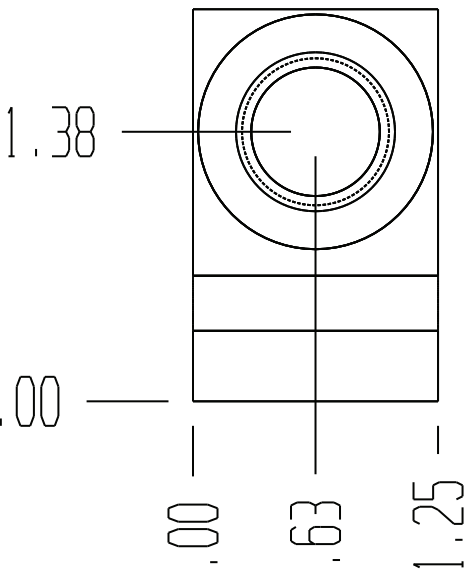


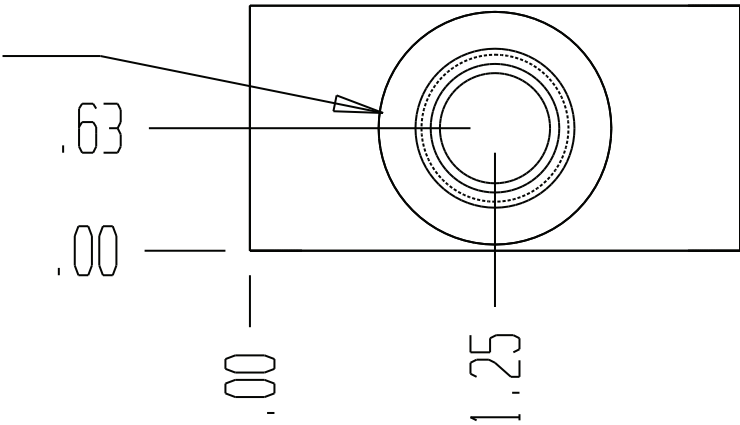
CAVITY 2141-10-2
Ø.875-14 THREAD.



PART NUMBER 1562



3 X SAE NO.8 PORT.
Ø.75-16 THREAD.



MATERIAL: 11L17 STEEL