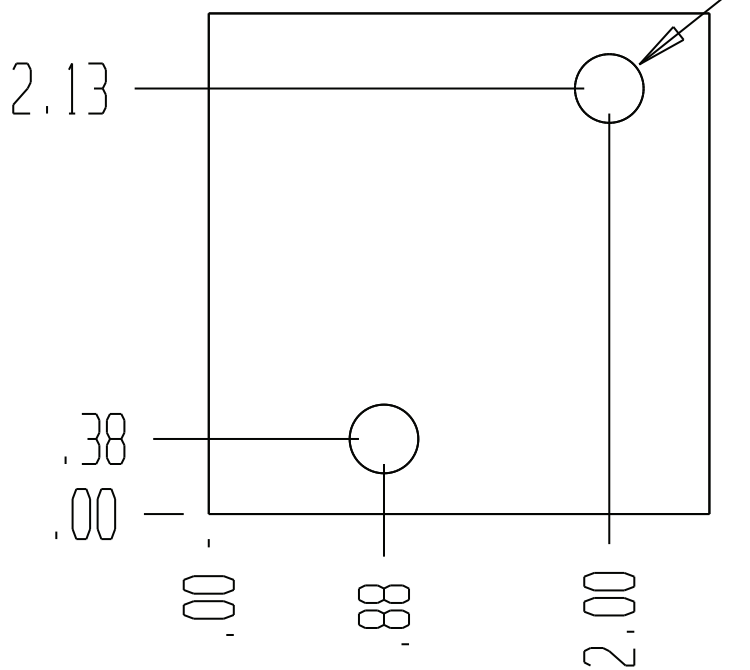
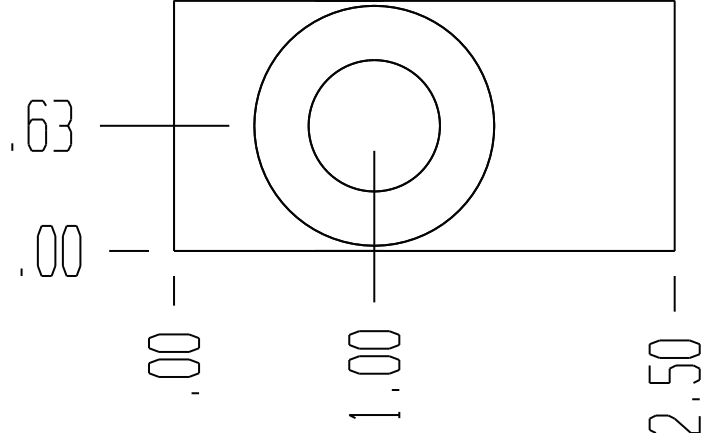
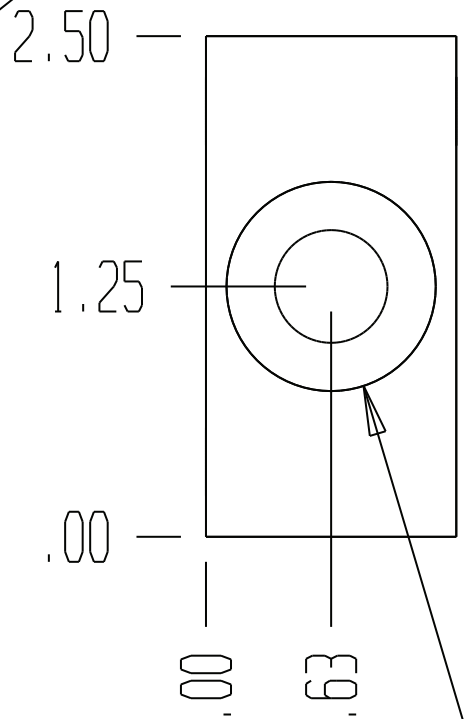


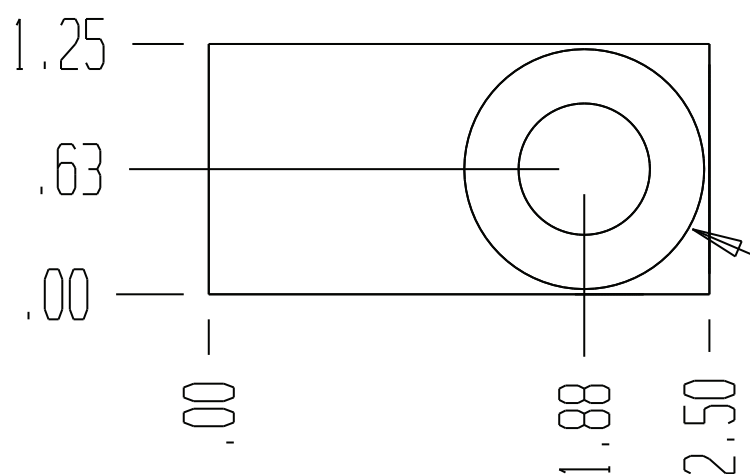
# PART NUMBER 2062



2 X  $\phi$ .34 THRU.



CAVITY 2097-085-2  
.75-16 THREAD



2 X SAE NO.8  
O-RING PORT

MATERIAL: 6061-T6 ALUMINUM