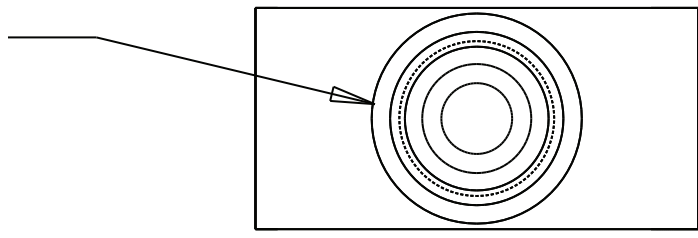
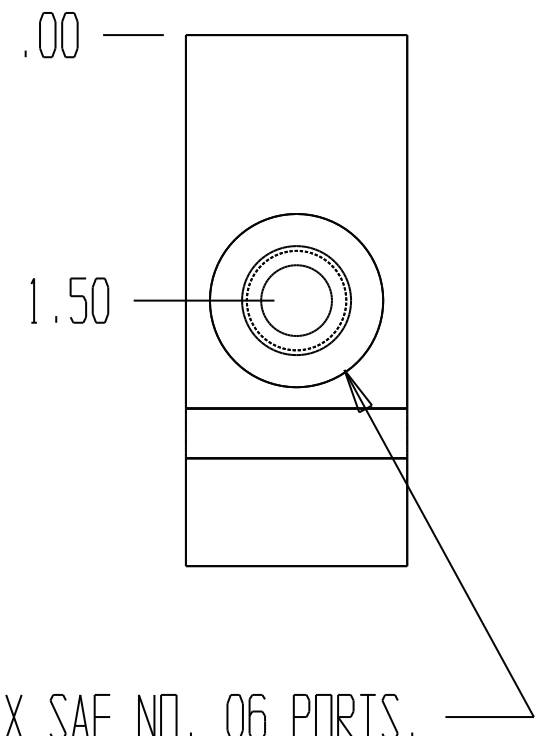
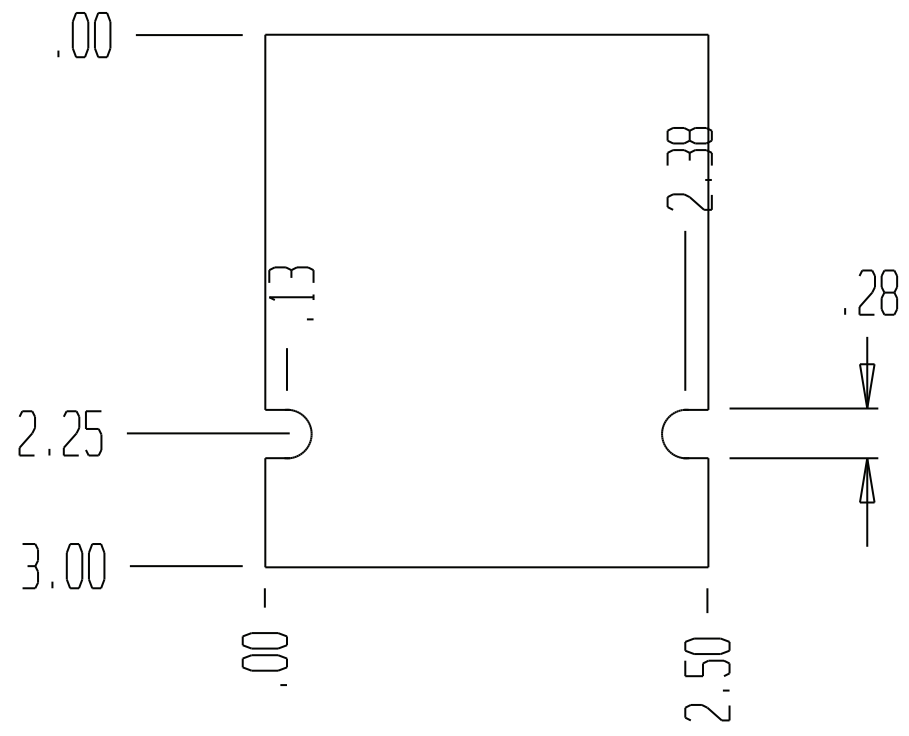
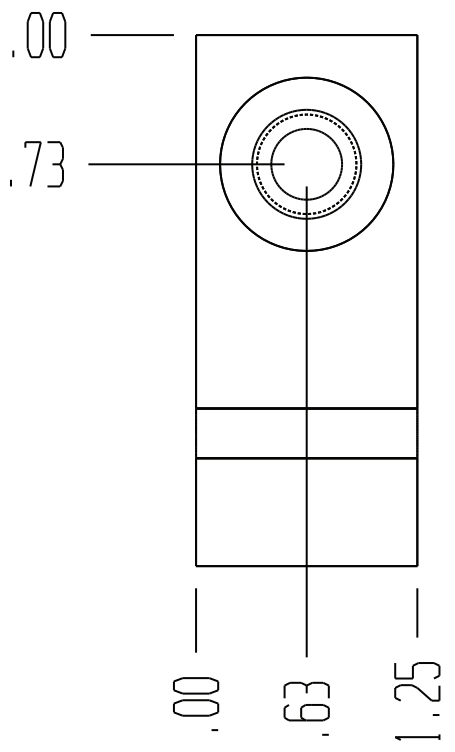


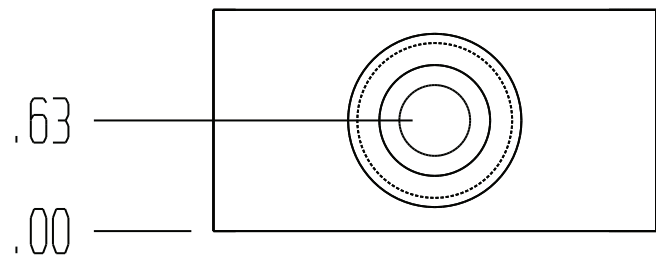
CAVITY 2141-10-2



PART NUMBER 2179



MAY BE USED TO MAKE SPCP-10-06 PILOT CHECK.



3 X SAE NO. 06 PORTS, Ø.56-18 THREADS.

MATERIAL: 6061-T6 ALUMINUM