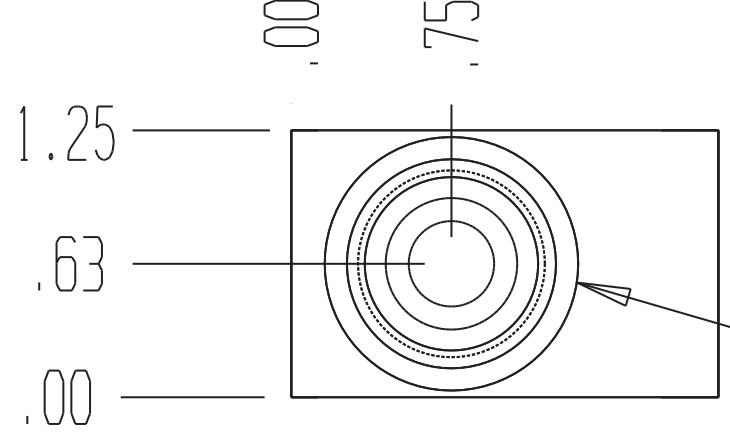
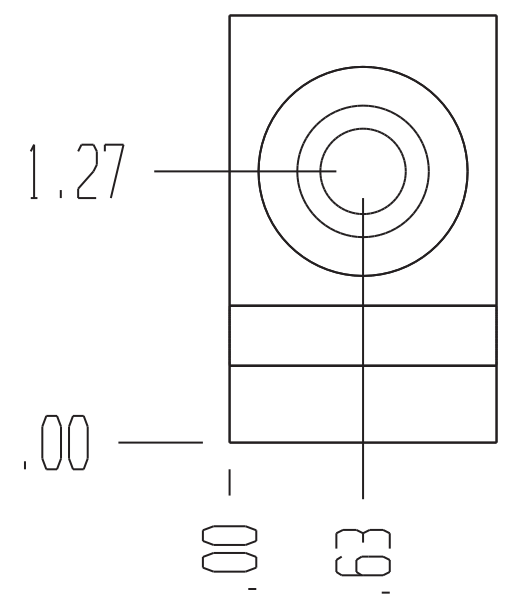
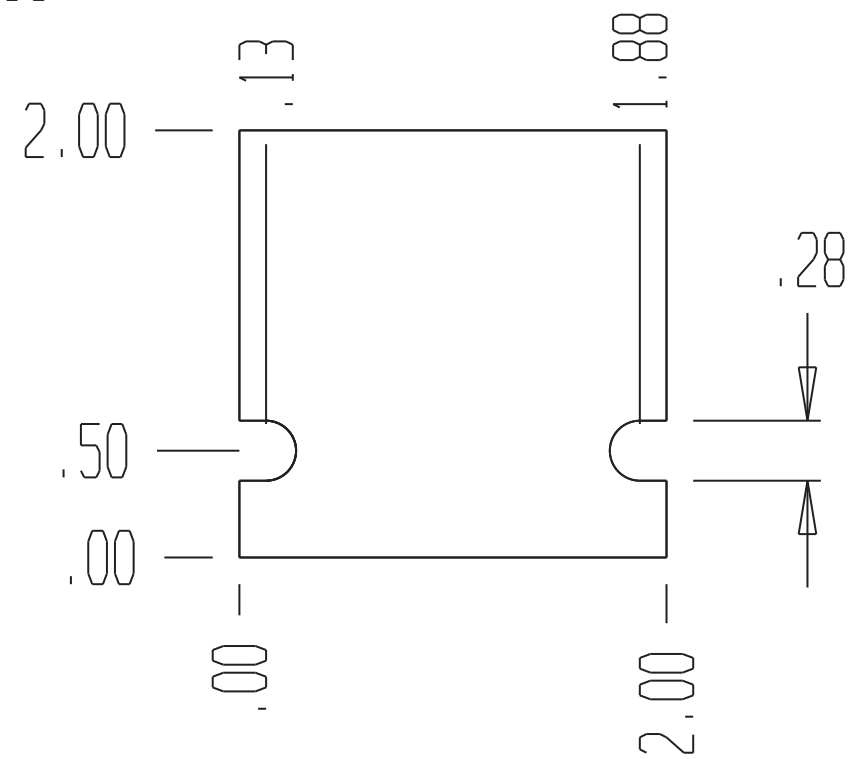


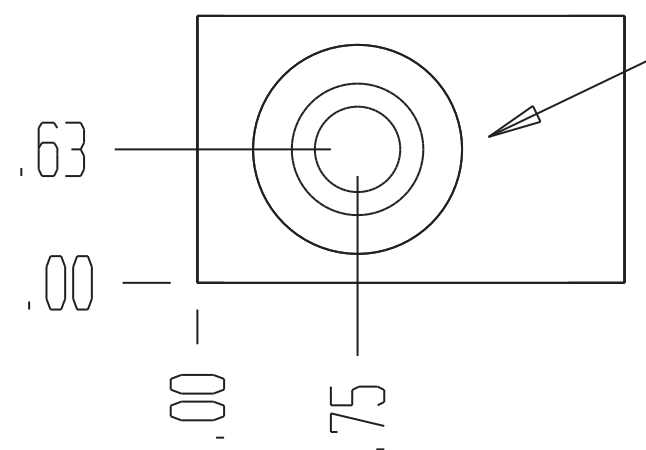
# PART NUMBER 5010



CAVITY 2141-10-2



2 X PORTS SAE NUMBER 06  
Ø.56-18 THREAD.



MATERIAL: 11L17 C.R.S.