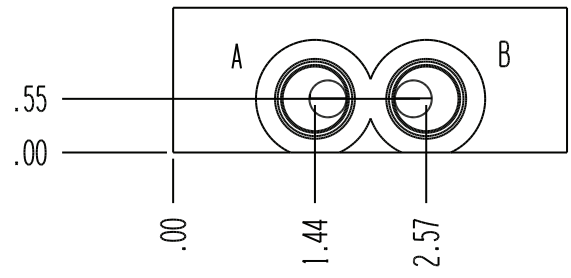
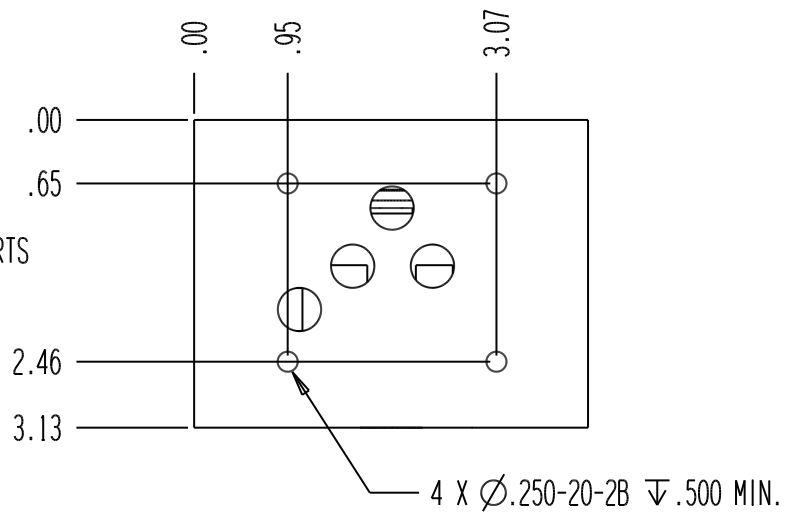
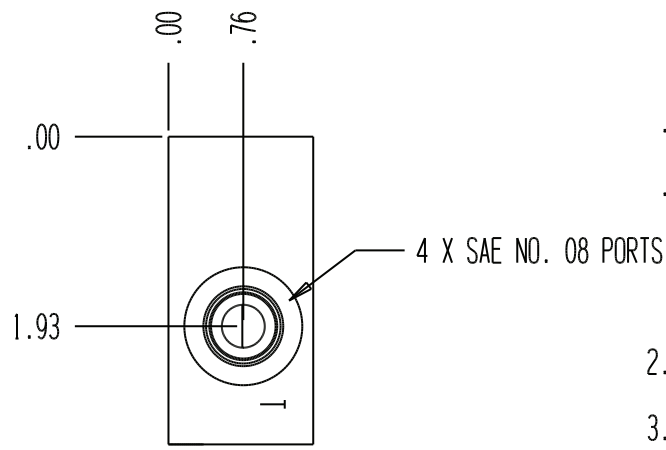
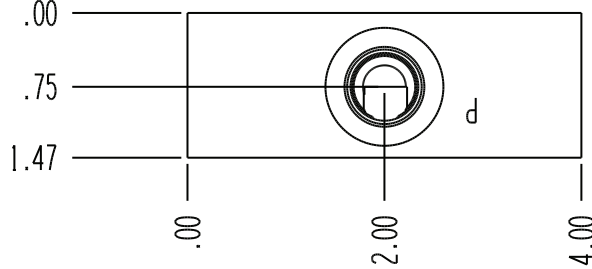


PART NUMBER 8234



NOTES: 1. ANODIZED, YELLOW.

