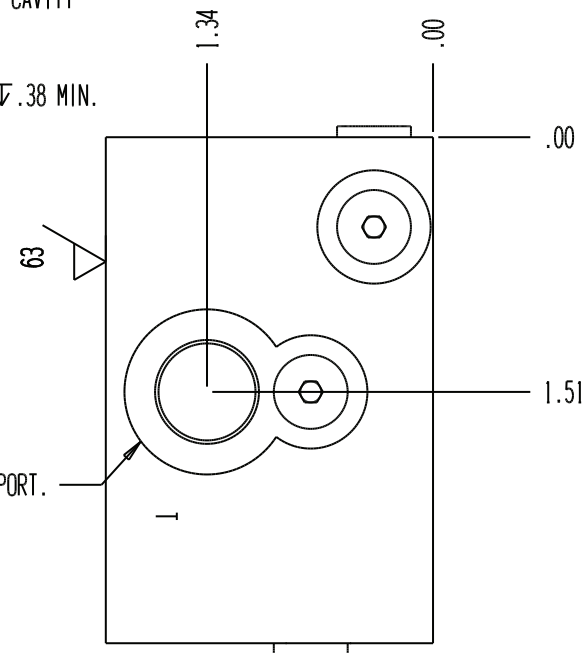
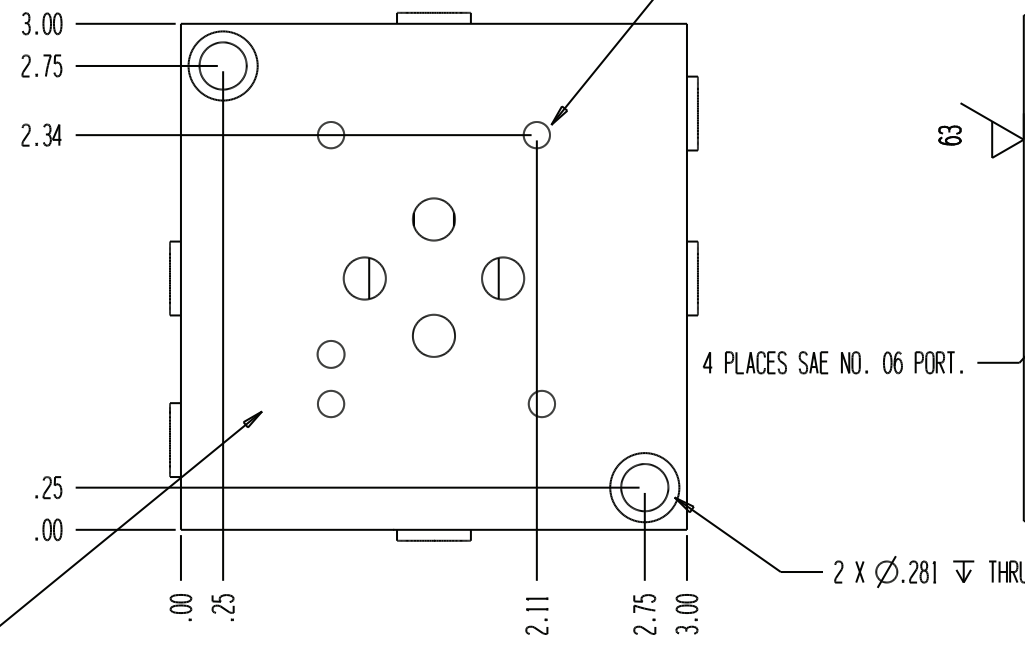
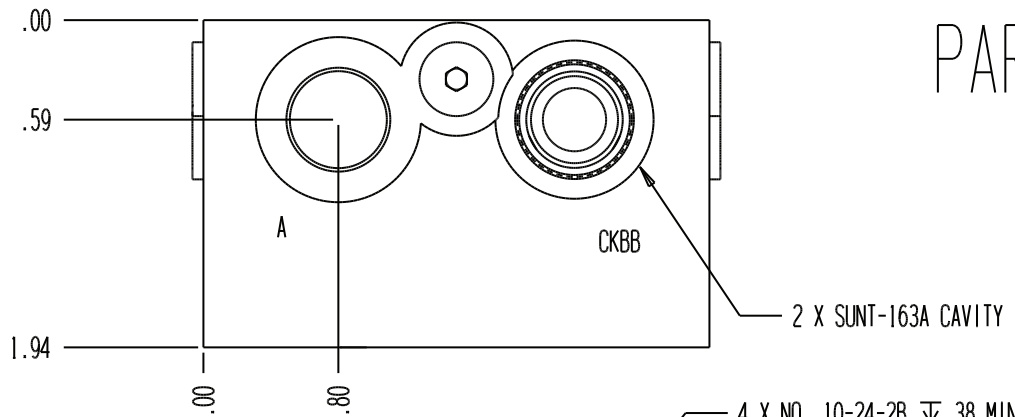
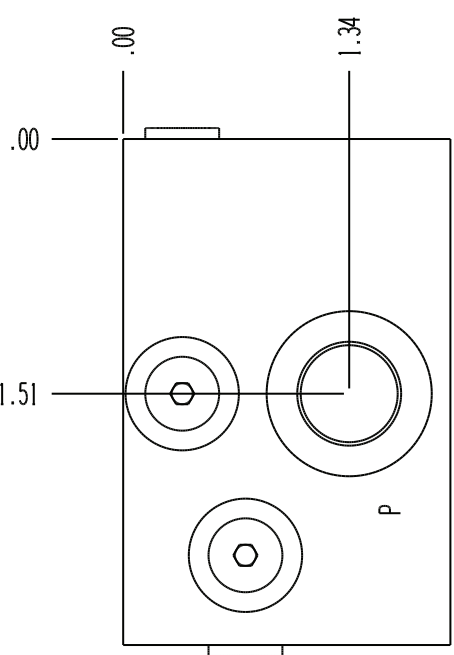
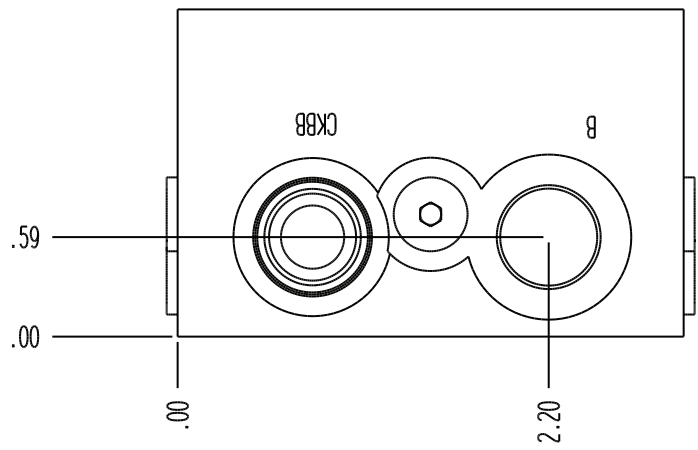


# PART NUMBER 8235



ISO 03 PAD

2 X  $\varnothing$ .281 THRU WITH  $\varnothing$ .41  $\nabla$ .25 COUNTERBORE.



NOTES: 1. ANODIZED ALUMINUM (6061-T6).